

Warnings and Cautions

- Always ensure the stove (with legs extended) is stable before use.
- Never touch a hot stove or cookmug (unless holding the heat- and flame-resistant band around the cookmug).
- Always ensure proper ventilation when operating the stove.
- Prior to initial use, wash the cookmug and lid with hot water and mild detergent. Allow the cookmug to dry before re-packing.
- Never heat the cookmug to extreme temperatures or allow it to boil dry.
- Exercise caution when separating the cookmug and lid when the cookmug has contents.

GearPods Corporation
Polson, Montana, USA
800.891.2670
www.gearpods.com



SS-1-4 v1.0

GEAR PODS ■

GearPods® Stove and CookMug

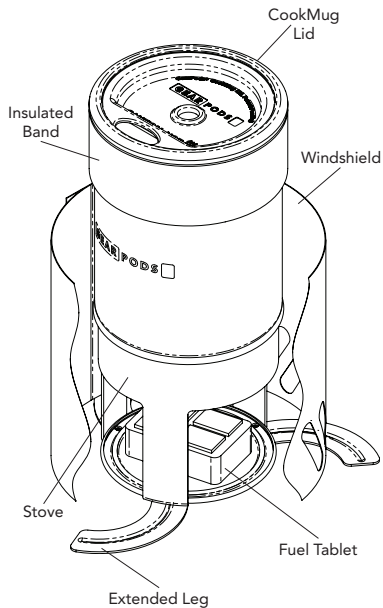
This stove uses solid fuel tablets such as Esbit®. It is designed primarily to work with the GearPods CookMug. The stove has two parts: the stove and windshield.

The windshield can be either packed inside the cookmug or wrapped around the stove inside the GearPods container. For retail purposes it is stowed inside the cookmug.

For best results select an area that is most protected from wind.

Capacity

The GearPods CookMug holds 9.5 fl oz (281 ml) with the lid engaged.



How to use the GearPods Stove

1. Extend the three stove legs out from the base to make a stable platform.
2. Remove a solid fuel tablet from any packaging and place it flat on the center tray inside the base of the stove.
3. Carefully light the tablet from the side with matches, butane lighter or stick from a fire starter (it will not take a spark from a fire starter).
4. Erect the windshield by pairing the slits at either end then place it down over the stove until it is resting on the stove legs. Rotate the windshield so that the venting holes are located downwind. The stove is now ready to use.
5. To extinguish the tablet, remove the windshield and carefully blow the tablet out. With caution run your hand over the top of the stove to make sure the tablet is fully extinguished. Any remaining tablet can be kept to use later.